

FIG. 1

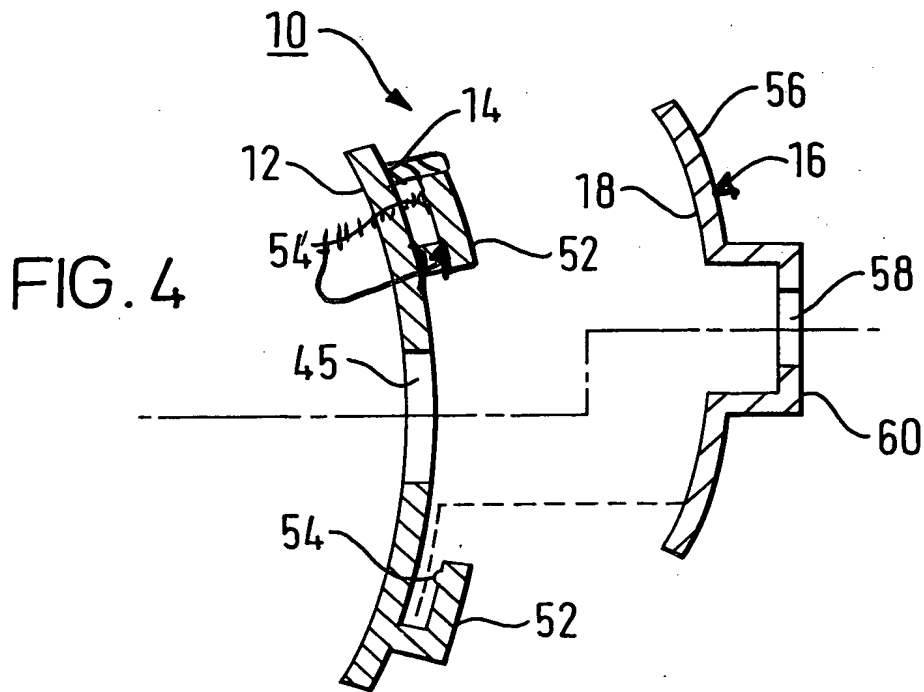


FIG. 4

OIPE JC106
SEP 15 2003
PATENT & TRADEMARK OFFICE

RCA90038
SCOTT JOSEPH DUGGAN AND
DARIN BRADLEY RITTER
4 / 4

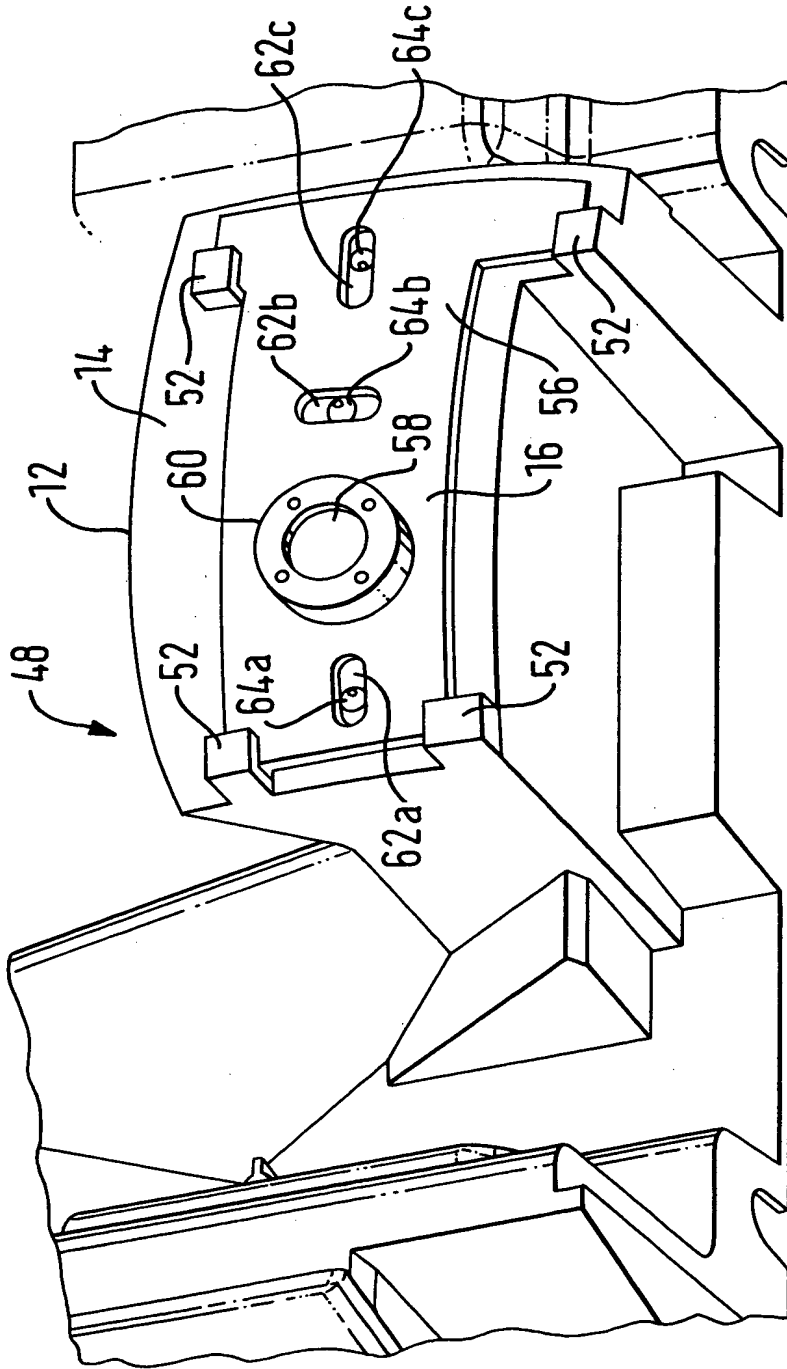


FIG. 5

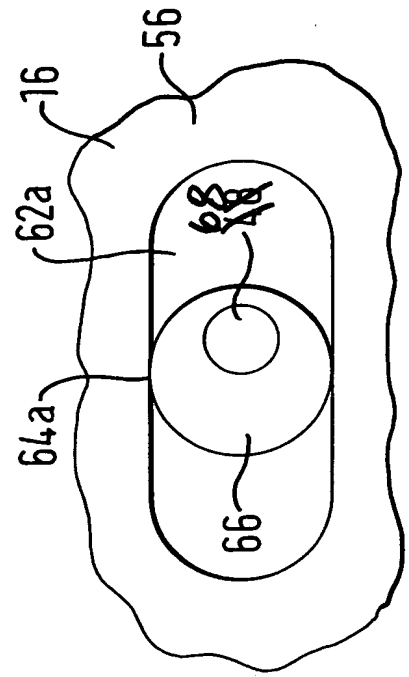


FIG. 6